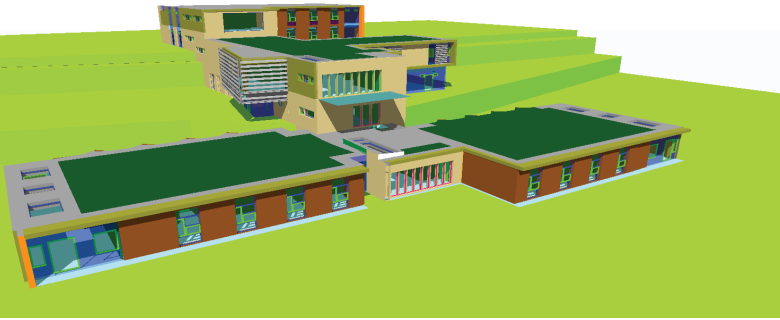




Building Energy Modeling software

for busy consulting engineering firms



Early Design

- Building heating and cooling design loads
- Building annual demand simulation

HVAC Design

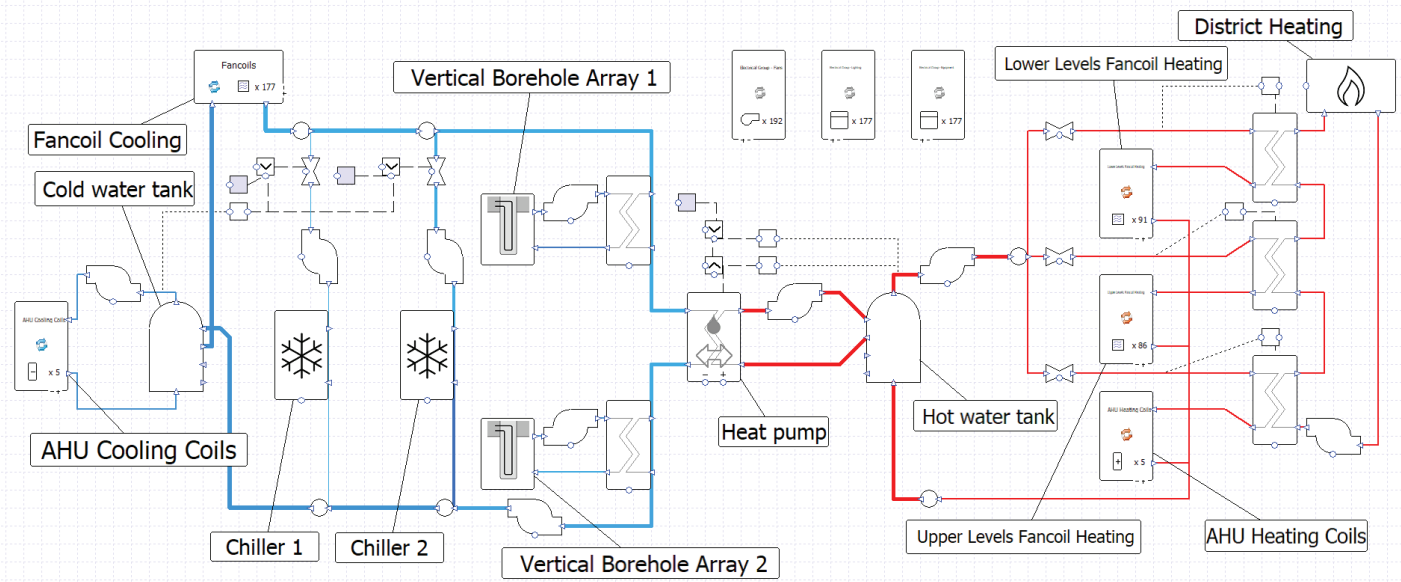
- Mechanical systems design loads sizing
- Mechanical systems annual performance simulation
- Integration of renewables
- Report cost, energy and carbon

LEED and Documentation

- ASHRAE 90.1 automation Studio
 - Automatic creation of baseline buildings, lighting and HVAC system types with efficiencies
 - Multi-core enabled to run simulations in parallel
- Automatically create LEED reports

TAS Engineering

- Comparable functionality to Energy+ with very much faster simulation run times
- Offers more capability and productivity than eQuest



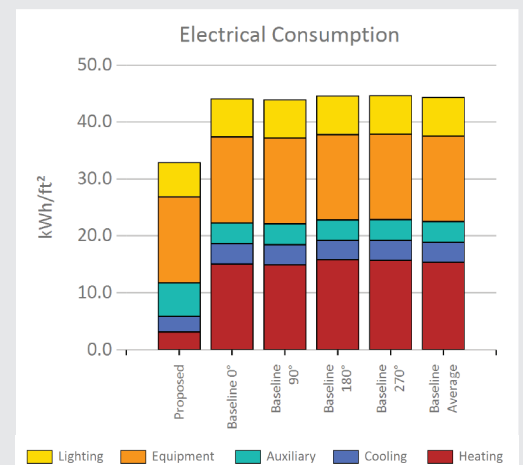
Monthly subscription with full maintenance & support from \$330

Video and Workbook Training Material Included

(212) 957-5415

support@edsltas.com | www.edsltas.com

LEED: 90.1 Reports, Excel sheet production



EDSL USA, INC. New York, NY 10019